

BY-BOX-2

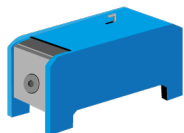
Floor derivation box



Table of contents

Overview	2
Mechanical installation	2
Riser cable preparation	2
Optical installation	3

Required tools

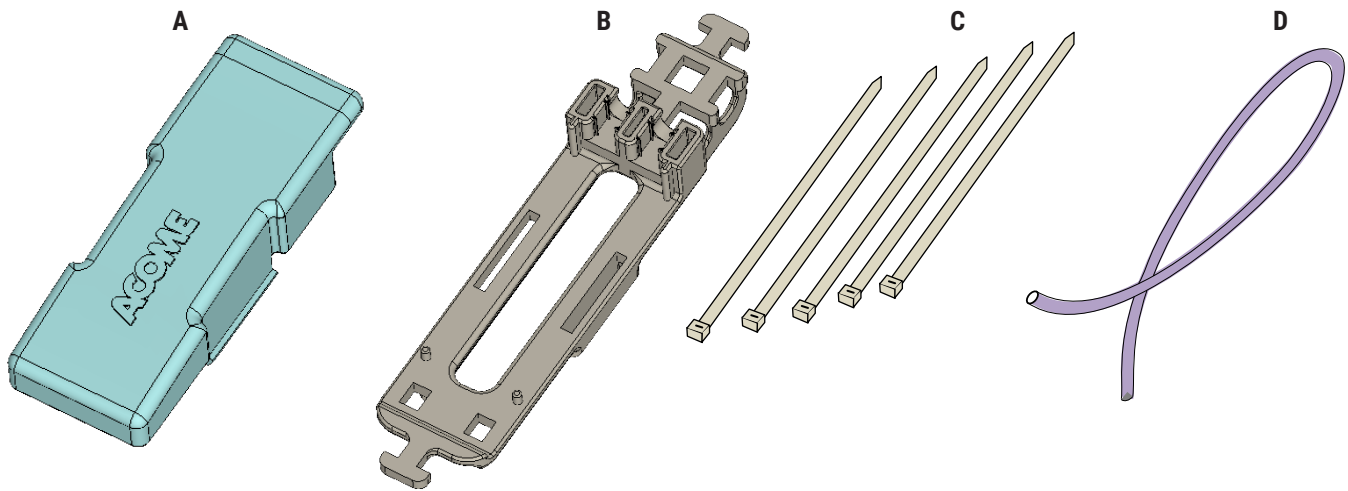


IC5006 Acome tool

BY-BOX-2

Floor derivation box

Overview

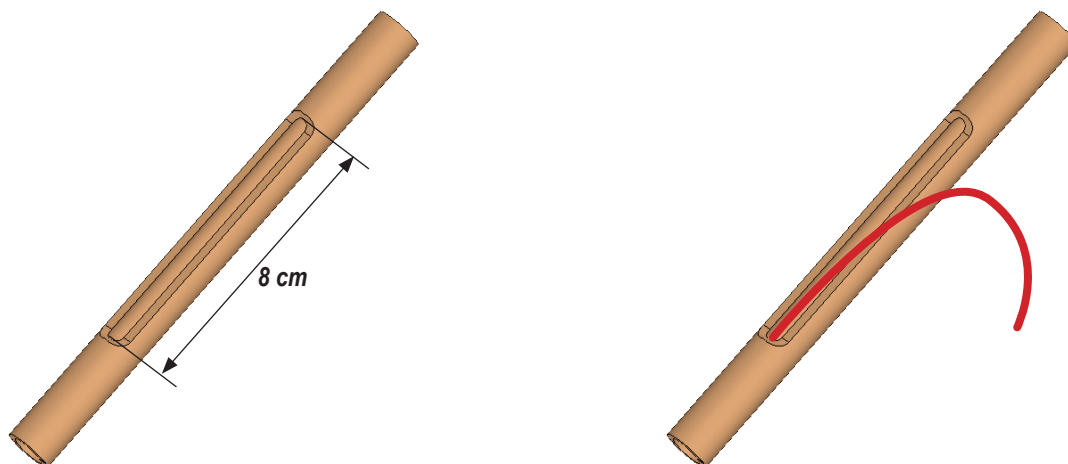


Marker	Designation
A	Cover
B	Base plate
C	Plastic ties (optional)
D	Micro-duct (optional)

Mechanical installation

Riser cable preparation

- With a pen, mark an opening window of 8 cm.
- Open the cable with the IC5006 tool.
- Extract the optical module from the cable.

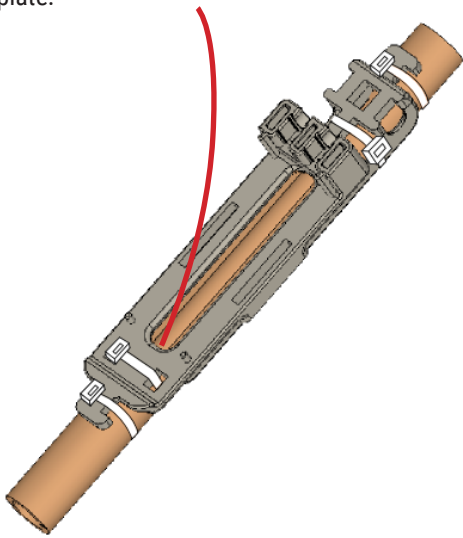


BY-BOX-2

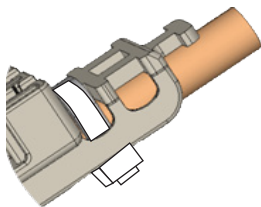
Floor derivation box

Mechanical installation (continued)

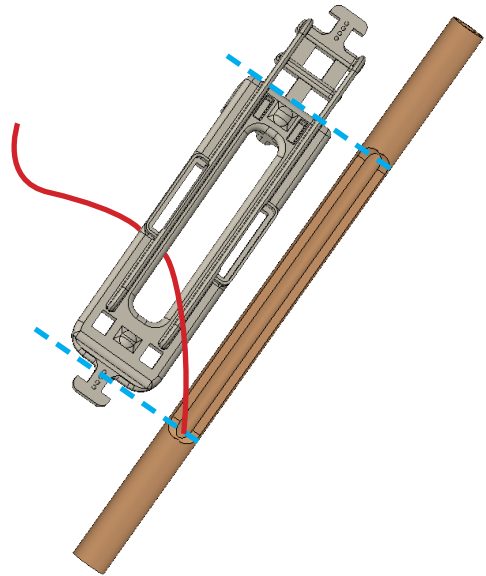
- Insert the optical module through the window of the base plate.
- Place the riser cable under the base plate between the 2 marks drawn.
- Attach the riser cable with 4 plastic ties to the anchor situated at the extremity of the base plate.



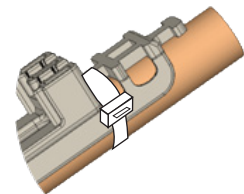
Position of plastic tie for cable diameter from 6 to 12mm



Position of the opening window of the cable between of the 2 marks (---)

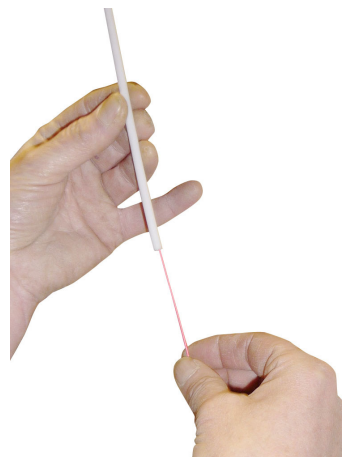


Position of plastic tie for cable $\varnothing > 12$ mm



Optical installation

- Push the optical module into the micro-duct.

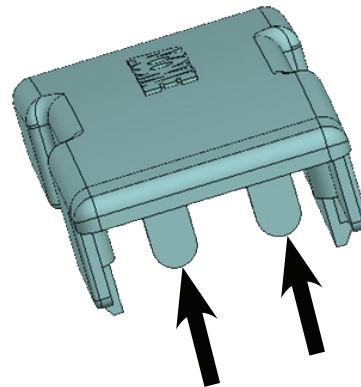
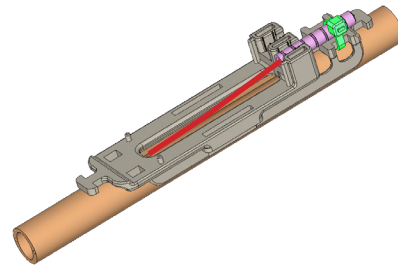


BY-BOX-2

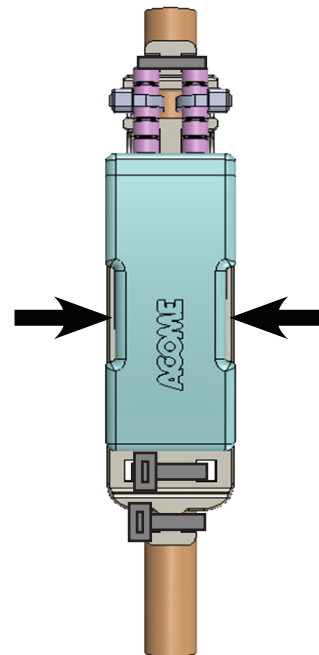
Floor derivation box

Optical installation (continued)

- Insert the micro-duct in one of the two forks.
- Fix the micro duct to the base plate with a plastic tie.
- Break micro-duct ports windows according to the micro-duct to be connected.
- Press the cover to close it.



- To open the box, press with on both sides of the cover and pull it.



Products are manufactured according to standards where they exist and tolerances customary in standard quality. Idea Optical does not guarantee the ability of the product to the purpose for which it was designed and not a separate or special use, which could be intended Buyer. These exclusions includes instances of incorporation products by Buyer in sets or systems delivered to a third party. In addition, the responsibility of Idea Optical can not be held liable for any defects due to normal wear and tear of the Product, improper installation or siting, implementation does not conform to the rules of art, DTU, technical advice and applicable instructions or requirements of the Seller, to improper use, lack of maintenance or storage, damage, injury resulting from negligence, fault handling or monitoring, malfunction related materiel to a case of force majeure or fortuitous event, a unilateral intervention on the Products without prior written consent of Seller or an error resulting from inaccurate data provided by the Buyer. Whatever the cause, Idea Optical can in no way be considered liable for any indirect or consequential loss and / or consequential damages that would be caused by the buyer.