

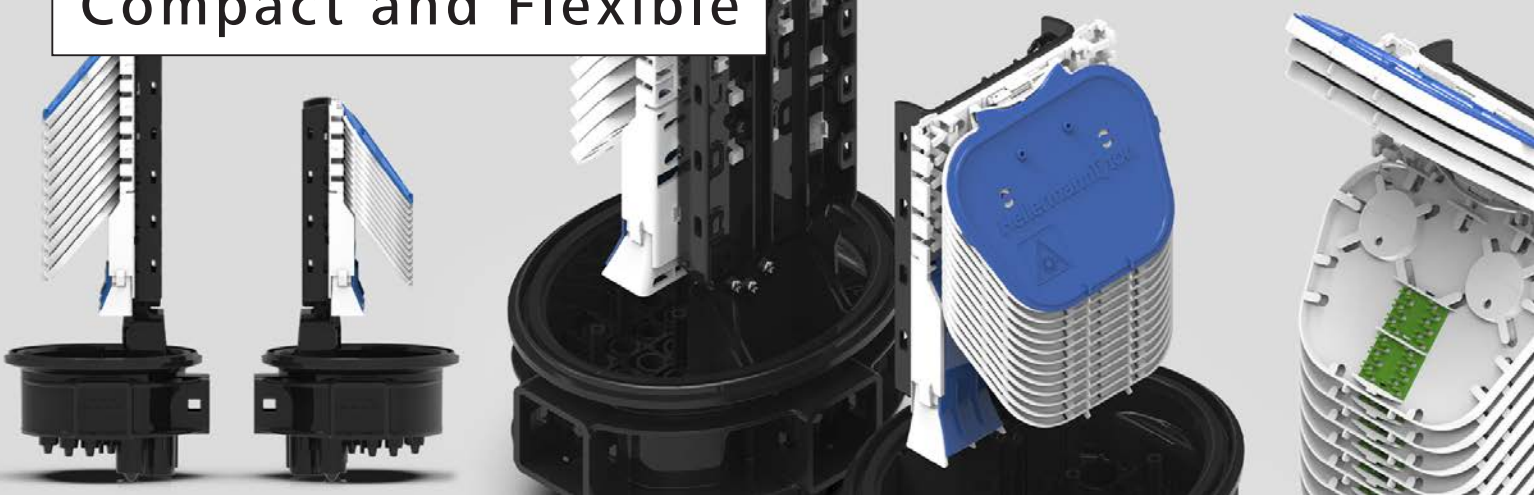


CFN Compact Fibre Node

Better Technology through Innovation

MADE TO CONNECT

Compact and Flexible



The CFN fibre splice closure is designed for a wide range of FTTx applications for both P2P and P2MP topologies.

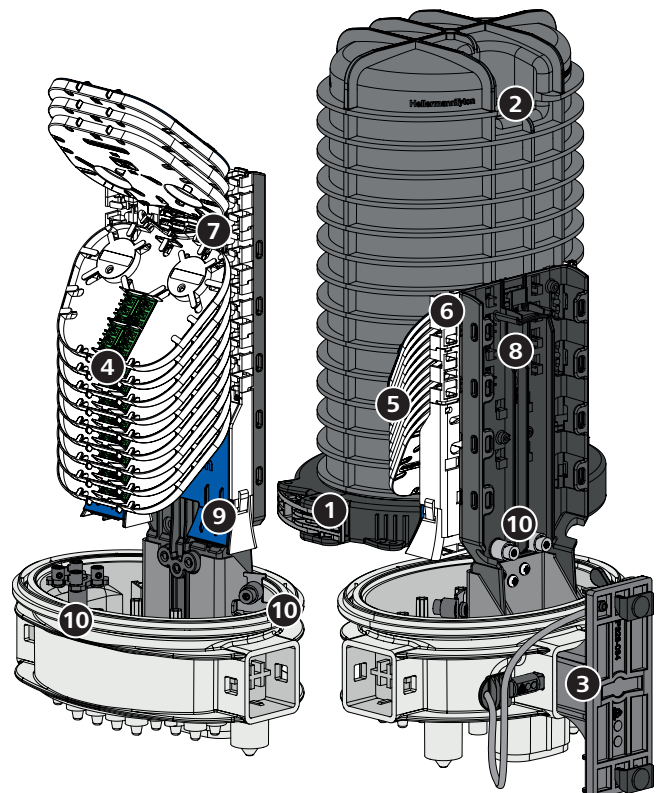
The CFN Integrated Routing (IR) closures are supplied with a UV stable Polypropylene base. With base configurations of either 26 round ports and 1 oval port or 18 round ports and 1 oval port, the CFN accommodates a cable diameter range of 1.7 - 20.0mm when using mechanical cablelok seals.

The IR Fibre Management System (FMS) accommodates a maximum of 12 compact SE single element splice trays in the M length closure and 6 in the S length closure. The trays can be fitted with a range of fibre splice bridges including 3A and ANT.



Key Features

- **Compact dimensions**
 - Available in two lengths, S Length 355mm and M Length 410mm.
 - Maximum fibre splice capacity
 - Medium - SE-IR 288 3A splices
 - Small - SE-IR 144 3A splices
 - 26 or 18 round ports and 1 oval port
 - Accommodates a maximum of 12 Compact SE-IR trays or 24 Compact SC-B trays (M Length)
- **Exceptional Fibre Management**
 - Positive fibre management to ensure consistent 15mm bend radii throughout
 - Fibre storage basket for loop through applications
 - Bi-directional routing
 - Off tray PLC splitter accommodation
- **Environmentally Sealed**
 - Cablelok compatible for all port sizes
 - Quick Release cover
 - Optional pressure release valve/cable location/toning point
- **Secure Mounting**
 - Integrated closure mounting points for MOBRA, pole and facade fixing



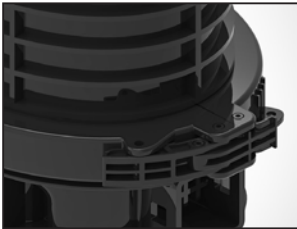
Environmentally Sealed with Secure Mounting

The closure is Cablelok ready with 2 base options available.

The 27 port option offers 24 R Drop Ports, 2 B ports and 1 oval port. The 19 Port CFN offers 16 D Ports, 2 B Ports and 1 Oval port.

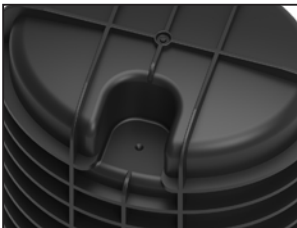
1 Quick Release Clamp

Both closures use a quick release clamp to ensure that the closure is sealed to IP68.



2 Pressure Release

Optional pressure release valve/cable location/toning point.

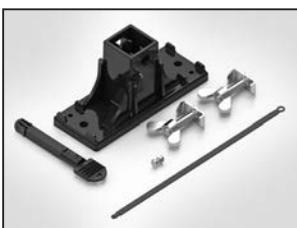


Secure Mounting

The CFN comes with 3 integrated mounting points for MOBRA, pole and façade installations.

3 Mounting Brackets

The base has 3 integrated closure mounting points which can be used with the moulded mounting bracket. The bracket can be mounted on a wall, pole or Mobra bracket.



CFN Mobra Mounting Bracket pictured.

Fibre Optic Splice Trays

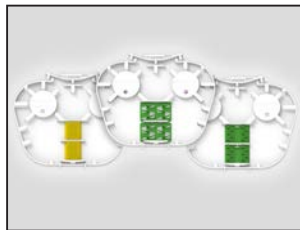
Splice trays for the CFN are available in both SE and SC.

The trays are designed to be self-supporting, meaning they will stay in place while working on the fibre. The splice position is located at the front of tray to increase speed of installation, with only 1 measurement needed for all fibre splices on any given tray.

4 Single Element Trays

Features include:

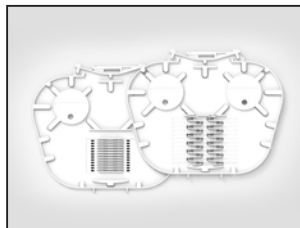
- Fibre can be redirected to the opposite side on the tray
- Designed to manage 250µm, 900µm and Intermittently Bonded Ribbon Fibre
- Max. 24 fibre splice capacity (3A bridges double stacked)



5 Single Circuit Trays

Features include:

- Moulded 3A and ANT Splice Bridges
- Max. 12 fibre splice capacity



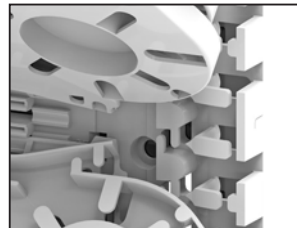
Exceptional Fibre Management

The Integrated Routing (IR) fibre management system offers excellent fibre distribution, throughout the closure from entry, onto the tray and on exit through the multiple drop ports.

The IR system has been designed to deliver speed, flexibility and high performance to any fibre installation.

6 Positive Fibre Management

- Fibre is actively managed between the tray and the backplane to prevent snagging and microbending
- Backplane design incorporates a 15mm minimum bend radius
- The backplane enables fibre to be routed both up and down for tray to tray applications



7 Easy Tray Addition

Additional trays can be easily clipped on to the backplane.

Dedicated location slots for Single Element trays.



8 Loop Storage Basket

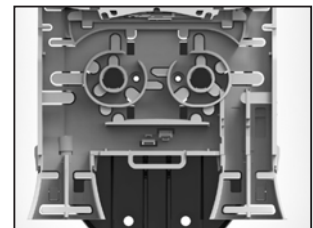
The loop storage basket is positioned directly over the oval port making for quick and easy installation of fibre loops.



9 Accessible FMS

Features include:

- Fibre Direction Change
- 2 x PLC Splitter Accommodation
- Up to 3m of 24 250µm Fibre Storage
- Fibre Retention



10 Port Anchoring Kits

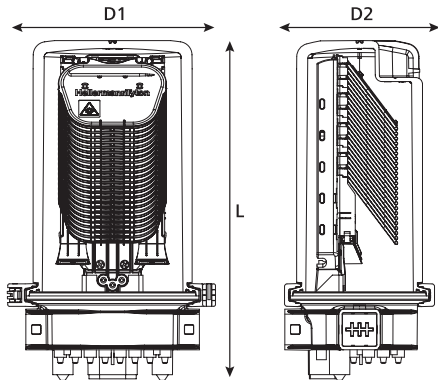
Cable retention / strength member anchoring for the R, B and oval ports.



Technical Information

Technical Diagrams

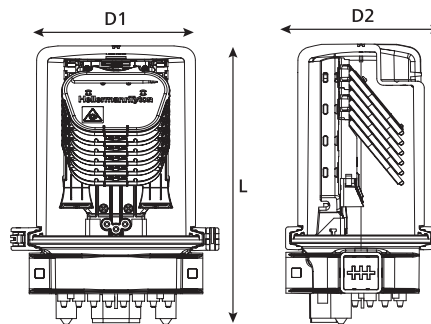
27 port CFN Medium Length Closure - SC Trays



Front view of Medium Length CFN Closure with SC-IR Trays.

Side view of Medium Length CFN Closure with SC-IR Trays.

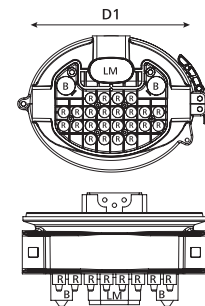
27 port CFN Small Length Closure - SE Trays



Front view of Small Length CFN Closure with SE-IR Trays.

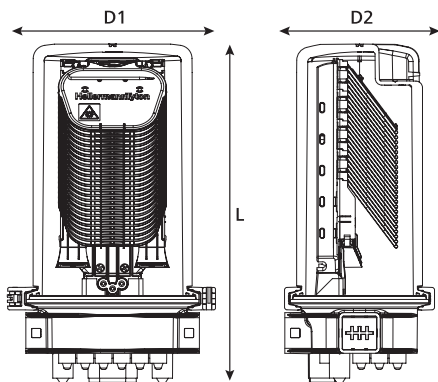
Side view of Small Length CFN Closure with SE-IR Trays.

27 Port Base Configurations



27 Port Base Diagram.

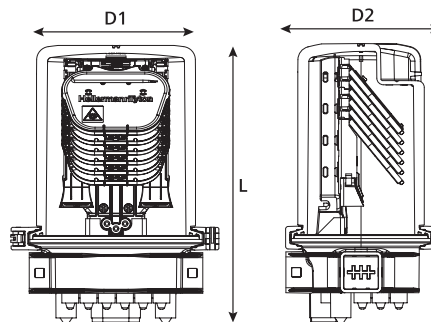
19 port CFN Medium Length Closure - SC Trays



Front view of Medium Length CFN Closure with SC-IR Trays.

Side view of Medium Length CFN Closure with SC-IR Trays.

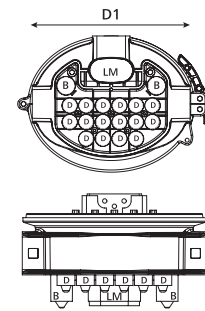
19 port CFN Small Length Closure - SE Trays



Front view of Small Length CFN Closure with SE-IR Trays.

Side view of Small Length CFN Closure with SE-IR Trays.

19 Port Base Configurations



19 Port Base Diagram.





Part Numbers

CFN Closures

TYPE	Width D1	Width D2	Length L	Tray Type	Splice Protector Type	Port Count	Basket	Article-No.	
CFNIRC-SXBBXW	250	180	335	12 SC-B	3A	27	Small	857-02450	
CFNIRC-SXBBWX				6 SE-IR				857-02522	
CFNIRC-MXBBXW			410	24 SC-B			ANT	Medium	857-02448
CFNIRC-MXBBWX				12 SE-IR					857-02528
CFNIRC-SXBBXS			335	12 SC-B	6 SE-IR		Small	857-02586	
CFNIRC-SXBBSX								857-02582	
CFNIRC-MXBBXS			410	24 SC-B	12 SE-IR		Medium	857-02588	
CFNIRC-MXBBSX								857-02584	
CFNIRC-SXBDXW			335	12 SC-B	6 SE-IR	3A	19	Small	857-02449
CFNIRC-SXBDWX									857-02520
CFNIRC-MXBDXW			410	24 SC-B	ANT			Medium	857-02447
CFNIRC-MXBDWX				12 SE-IR					857-02526
CFNIRC-SXBDXS			335	12 SC-B	6 SE-IR	Small		857-02585	
CFNIRC-SXBDSX								857-02581	
CFNIRC-MXBDXS			410	24 SC-B	12 SE-IR	Medium		857-02587	
CFNIRC-MXBDSX								857-02583	

All dimensions in mm unless otherwise stated. Subject to technical changes.

Accessories

TYPE	Product Type		Description	Pack Qties	Article-No.
AK-CFN-R-PORT-06	Port Anchor Kits		CFN R Port Anchor	5	857-40922
AK-CFN-B-PORT-02			CFN B Port Anchor	2	857-40923
MB-CFN-PWB-001	Mounting Brackets		CFN Wall / Pole Bracket	1	857-40925
MB-CFN-MOBRA-BRKT			CFN Mobra Mounting Bracket	1	857-40926

All dimensions in mm unless otherwise stated. Subject to technical changes.

Bringing FTTX products to life in AR

Your perfect product information tool.

MADE TO CONNECT



APP UPDATE!

Download our NEW Mobile App

The HT Connect App from HellermannTyton is the perfect product information tool.

Using Augmented Reality (AR) technology through your mobile phone or tablet, you can see a number of selected products from the HellermannTyton product range in a live environment.

The app is designed to give you a closer look at our products as well as giving you additional information including datasheets, installation guides, installation videos and links to website.

