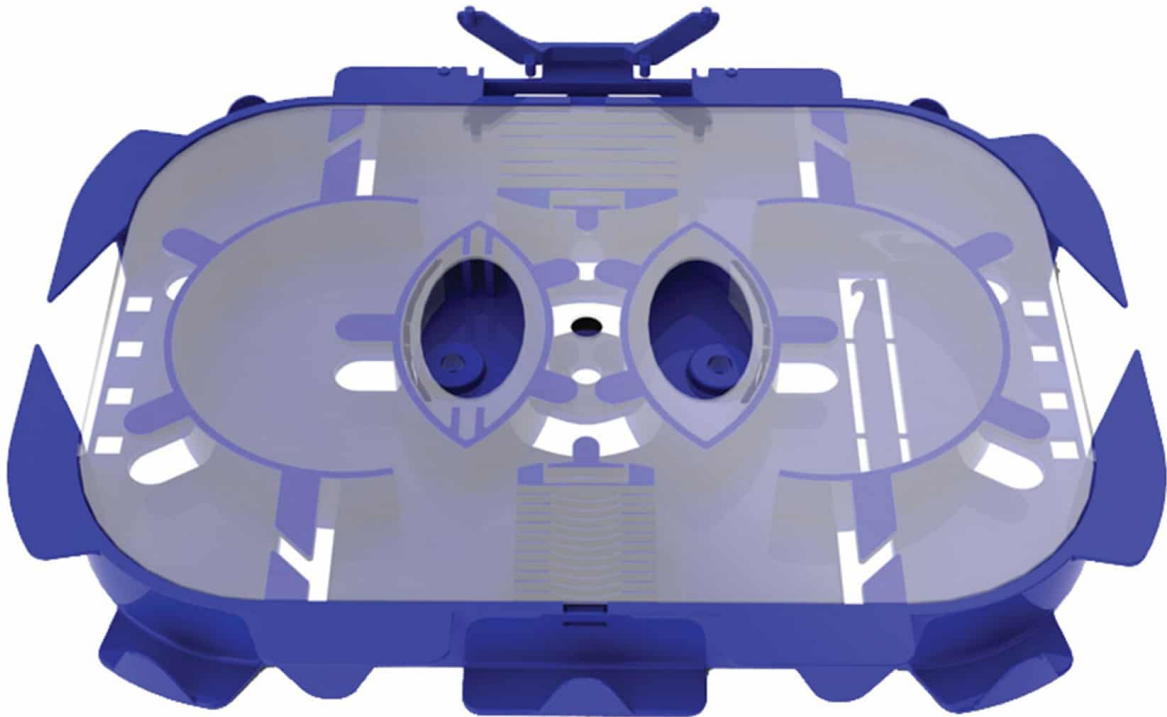


Speedway Fiber Splice Tray



Description

Introducing the revolutionary new Speedway splice tray with unrivaled ease of use and flexibility. Featuring a unique external fiber pathway and pivoting splice holder arrangement this tray redefines the concept of splice management, combining fiber management and splicing control in one product. Due to its accommodating internal dimensions the Speedway splice tray is able to comfortably hold 24 splices with either heatshrink or crimp German style splice protectors with up to 900 μ m buffered fibers.

Features and Benefits

- Unique external fiber pathway allows easy storage of excess fiber and multi-directional routing of entry and exit fibers
- Internal management allows multiple fiber routing options including cross over
- Built in fiber pick can be used to withdraw individual fibers and can be stored in the tray after use
- Supplied with tray hinge to maintain access to splices with stacked trays
- Cable tie points to secure fiber on entry and exit
- Spacious interior maintains 30mm fiber bend radius and allows storage of either 250 μ m or 900 μ m buffered fiber
- Pivoting splice holders allow uninterrupted control of fiber prior to splicing and during rework
- Will hold up to 24 splices with either heatshrink or crimp style splice protectors
- Transparent clip in lid supplied with every tray
- Mountable via central hole, DIN style holes or double sided

foam adhesive pad

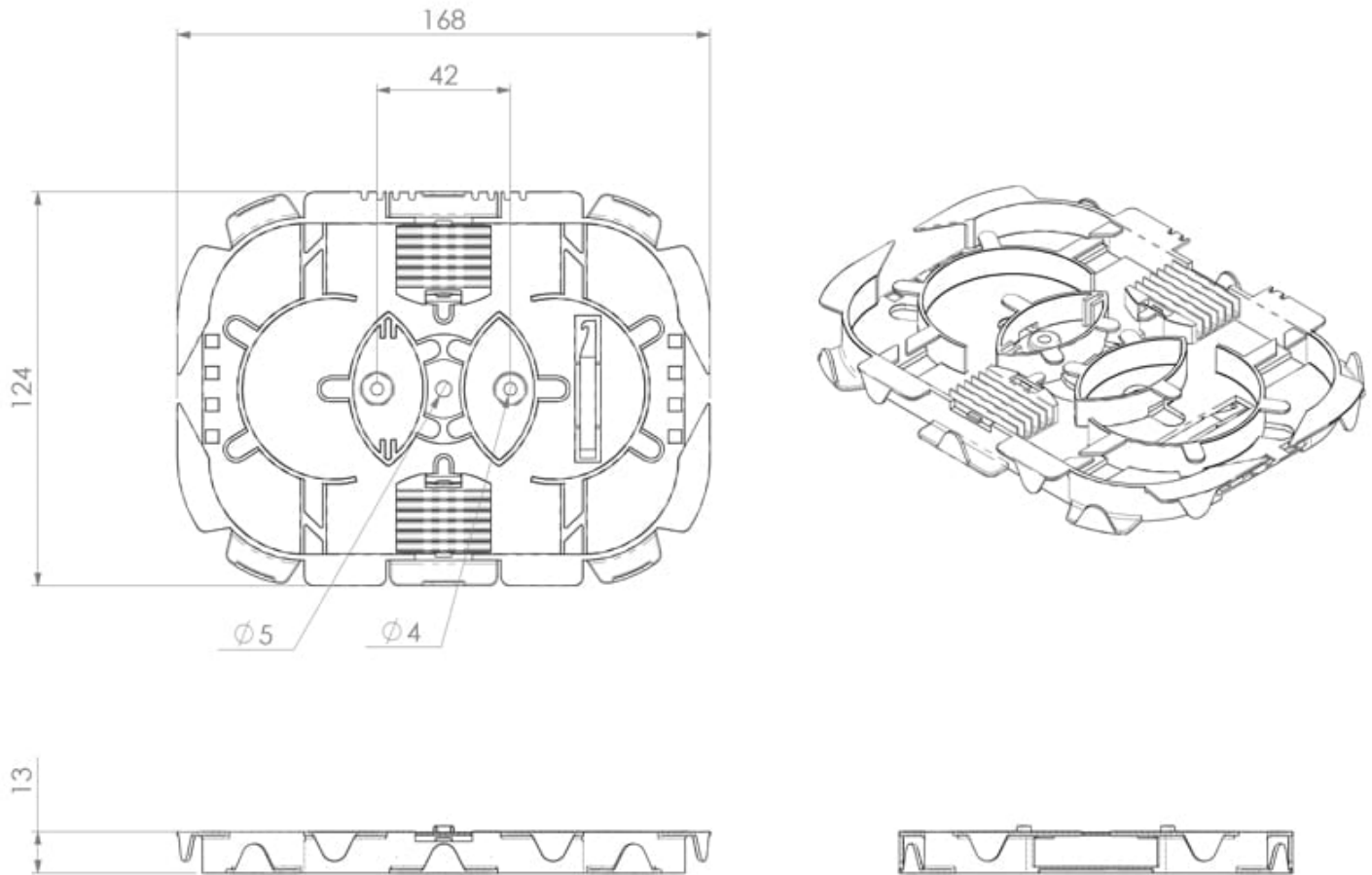
Applications

- Fiber management
- Wall boxes
- Internal and external
- Patch panels

Specifications

ELEMENT	VALUE
Width	168mm
Depth	124mm
Height	13mm
Net weight	81g
Material	ABS
Colour	Blue
Operating temperature	-40°C to +60°C
Designed in accordance with	TIA/EIA 568.C, ISO/IEC 11801, EN50173, IEC60304, IEC61754,
Compliant to	RoHS, Reach/SVHC

Technical Drawing

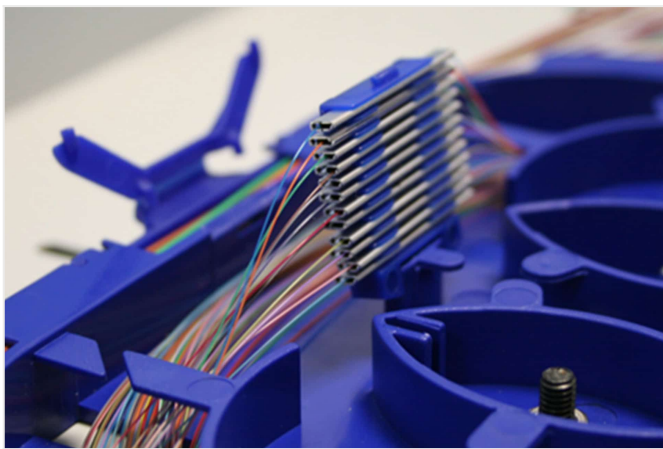
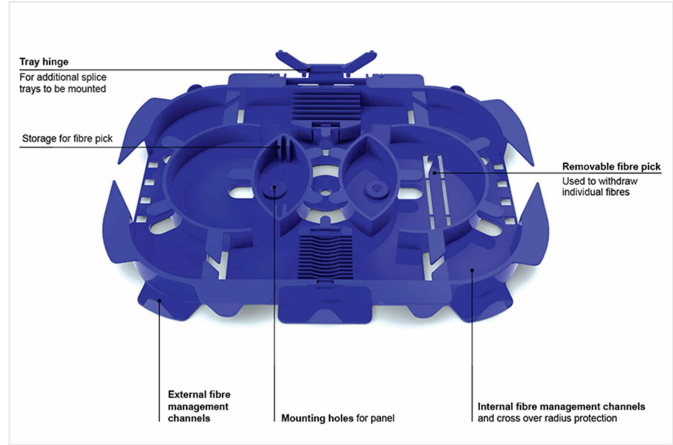
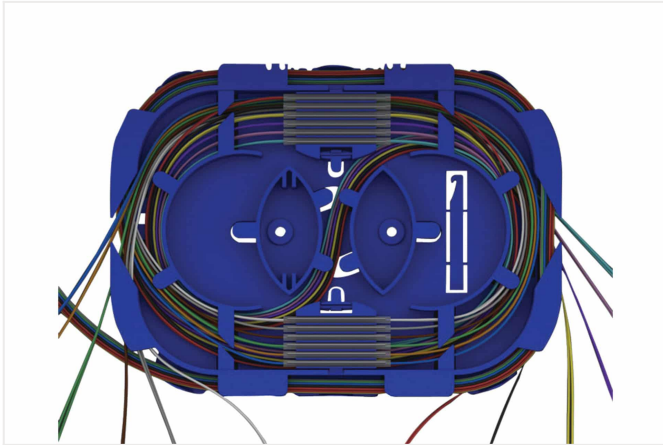


Ordering Information

DESCRIPTION	PART NUMBER
Speedway Fiber Splice Tray Heat Shrink	SPT01
Speedway Fiber Splice Tray Crimp German Style	SPT02

Additional Images





Related Products

