

W32 Indoor/Outdoor Lockable Wall Box



Description

The W32 Lockable IP65 distribution box is supplied unloaded as standard and offers the ability to terminate 48 fibers housed in a strong robust ABS enclosure for indoor and outdoor applications. An internal detachable adapter tray provides a neat and tidy solution for housing 48 SC simplex connections and splices. Integrated cable tie points are included to secure incoming cables. A locking feature for the door adds extra security when positioned in un-secure areas.

Features and Benefits

- IP 65 Rating for external use
- Lockable door for added security
- Integrated cable tie points for securing incoming cable
- Up to 48 splice & SC connection points
- Removable splice tray for easy installation
- Accepts loose tube, distribution and pre-terminated cables
- Integrated bend radius protection
- Removable door for ease of installation
- Supplied with 48 heatshrink splice protectors
- Supplied with transit tubing
- Supplied with wall fixings and tie wraps

ROHS, REACH & SvHC compliant

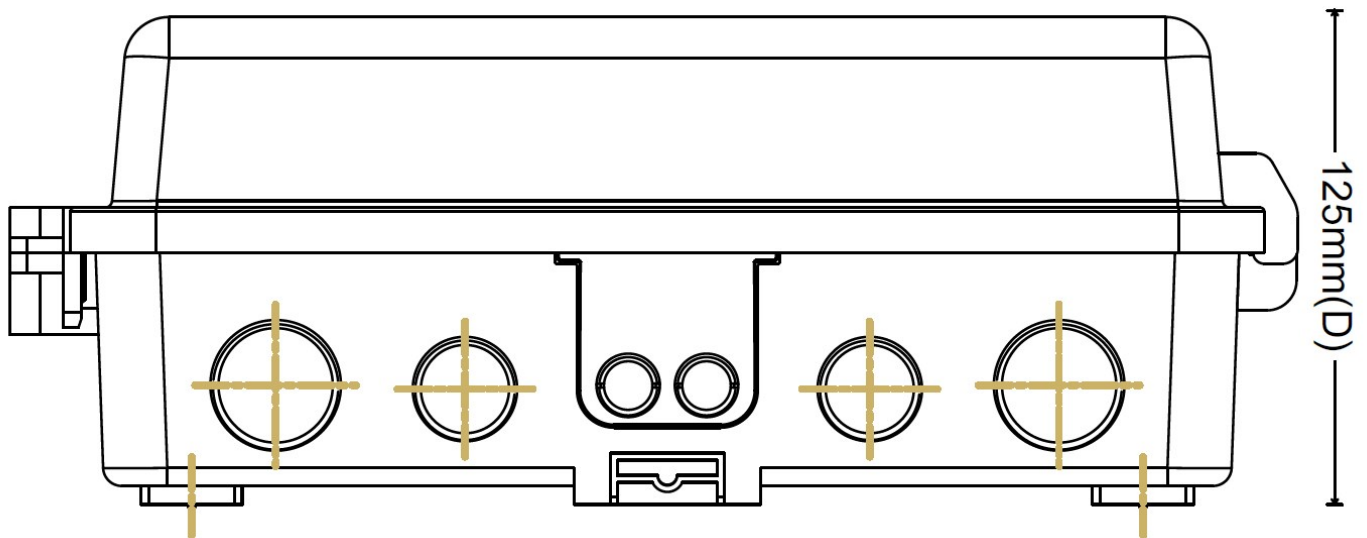
Applications

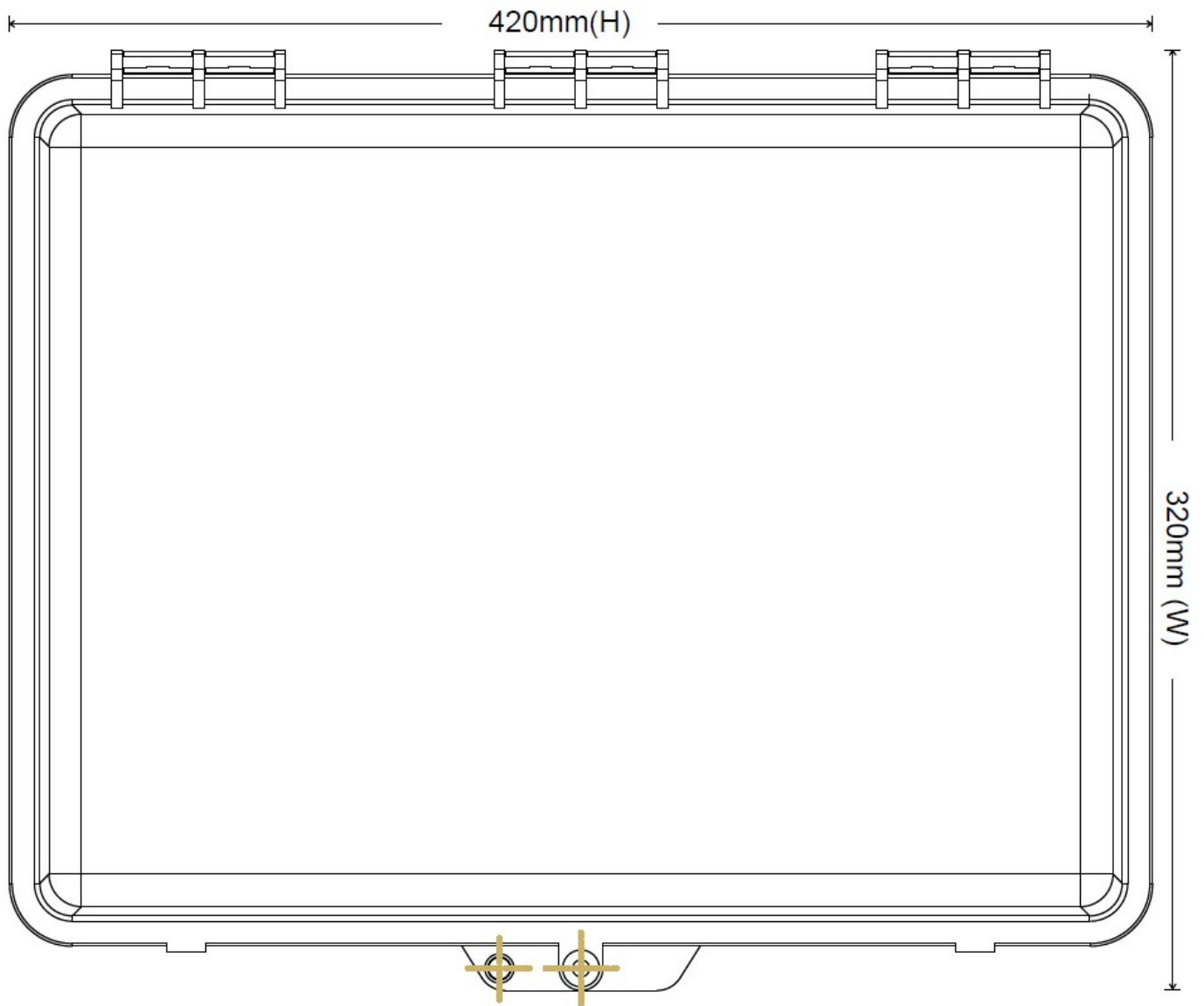
- Data centers, premise installations, telecommunication networks - Ethernet, Fiber Channel, ATM, LAN, MAN and WAN -
- Data communication and telecommunication networks - Indoor/outdoor applications

Specifications

ELEMENT	CHARACTERISTIC
Height (mm)	420
Width (mm)	320
Depth (mm)	125
Suitable for adapter type	SC Simplex, LC Duplex
Number of Adaptor Positions	48
Splice Tray Type	48 Cores
Max. Splicing Capacity	96 Splices
Material	PC+ABS
Colour	White
Operating temperature (°C)	-40 to +60
Compliant to	RoHS, Reach/SVHC

Technical Drawing





Ordering Information

PART NUMBER	DESCRIPTION	LEGACY PART NUMBER
FXWCXXDXXX-32XX	IP Rated Wall Box Grey 7035 IP65 Lockable 48 Port (SCS) Modular UNLOADED	W32XXX00

Additional Images



Related Products

